

1 2 3 4 5 6

A

A

B

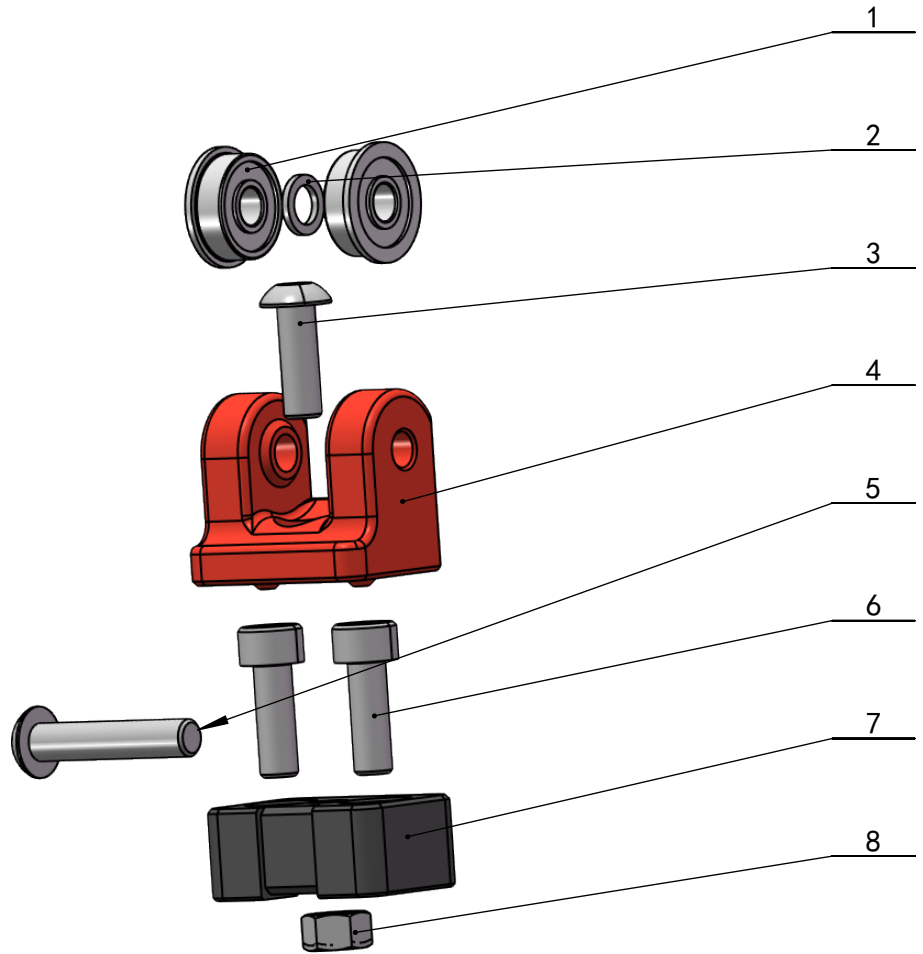
B

C

C

D

D



NO.	Part Name	QTY
1	C-EFL605ZZ	2
2	M5_1x8mm_Shim	1
3	M5x15_BHCS	1
4	Pulley_Holder_x4	1
5	M5x25_BHCS	1
6	M5x15_SHCS	2
7	Adapter_x4	1
8	M5x4_Nut	1

UNLESS OTHERWISE SPECIFIED:
 DIMENSIONS ARE IN MILLIMETERS
 SURFACE FINISH:
 TOLERANCES:
 LINEAR:
 ANGULAR:

FINISH:

 DEBURR AND
 BREAK SHARP
 EDGES

DO NOT SCALE DRAWING REVISION

	NAME	SIGNATURE	DATE		
DRAWN	ZZP8202				
CHK'D					
APPV'D					
MFG					
Q.A					
				MATERIAL:	
				WEIGHT: 0.016	

TITLE:
Pulley_Holder_X4

DWG NO. Pulley_Holder_X4_V1 A4

SCALE: 1:1 SHEET 1 OF 1

1 2 3 4 5 6