

DRAWN TO AS1100
 DO NOT SCALE
 DIMENSIONS IN MM



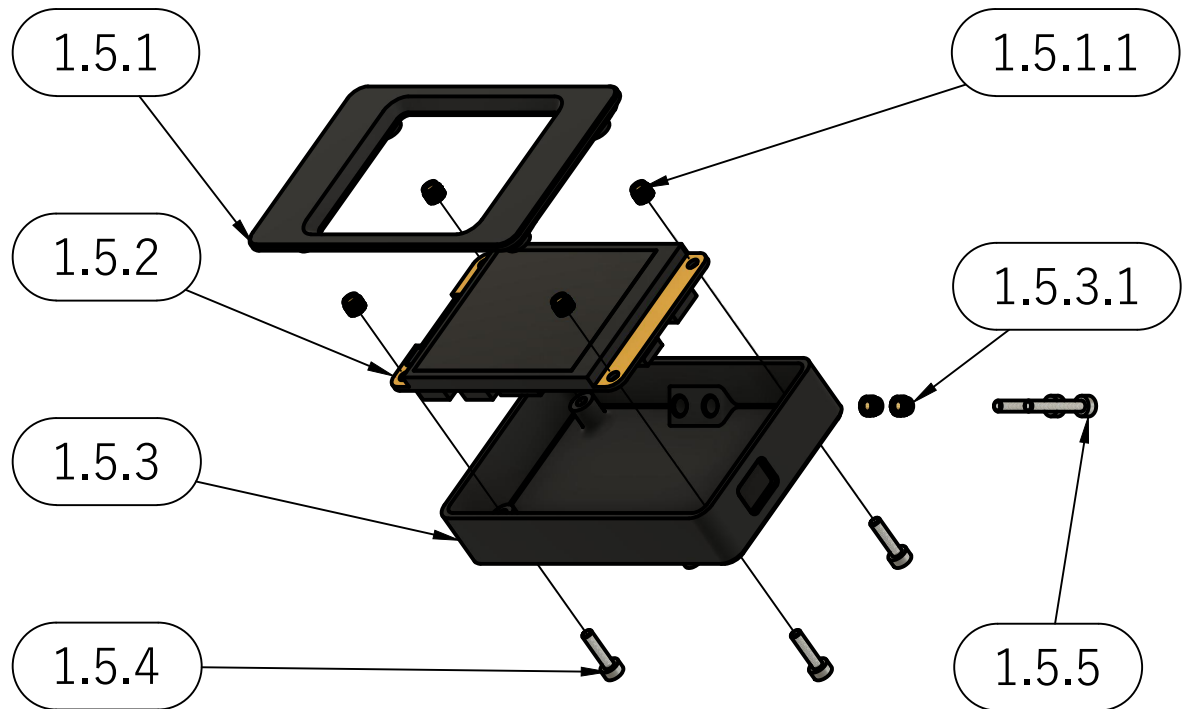
www.ryandynamics.com
 THIS DESIGN AND/OR DRAWING IS THE PROPERTY OF RYAN DYNAMICS
 AND SHALL NOT BE REPRODUCED WITHOUT AUTHORISATION.

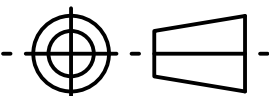

TITLE 2024/03/23
Switchwire CYD Screen Case

DRAFTED BY: Ryan
 ENGINEERED BY:
 ADD. APPROVAL:
 ADD. APPROVAL:

REVISION	DRAWING No.	SIZE
V4		A4
SCALE	WEIGHT	SHEET
1:2		1/2

Parts List		
Item	Qty	Part Name
1	1	Front Grill v1
1.5	1	CYD ESP32 Case Assembly
1.5.1	1	Case Front
1.5.1.1	4	M3xD5xL4 Threaded Insert
1.5.2	1	CYD ESP32 Display
1.5.3	1	Case Back
1.5.3.1	2	M3xD5xL4 Threaded Insert
1.5.4	4	Hexagon Socket Head Cap Screw DIN 912 - M3 x 0.5 x 12 Stainless Steel A4 Plain v1
1.5.5	2	Hexagon Socket Head Cap Screw DIN 912 - M3 x 0.5 x 20 Stainless Steel A4 Plain v1



 DRAWN TO AS1100 DO NOT SCALE DIMENSIONS IN MM	 www.ryandynamics.com THIS DESIGN AND/OR DRAWING IS THE PROPERTY OF RYAN DYNAMICS AND SHALL NOT BE REPRODUCED WITHOUT AUTHORISATION.		TITLE 2024/03/23 Switchwire CYD Screen Case	
	DRAFTED BY: Ryan ENGINEERED BY: ADD. APPROVAL: ADD. APPROVAL:	REVISION V4	DRAWING No. 	SCALE 1:2 WEIGHT SHEET 2/2